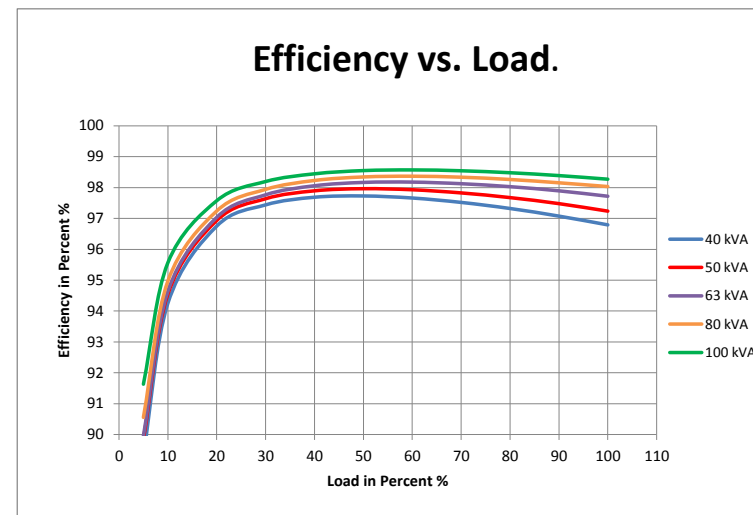


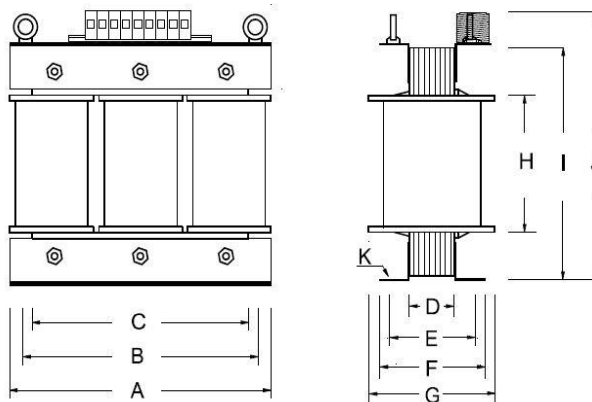
## Datasheet of TPT large

		TPT 12127	TPT 12128	TPT 12129	TPT 12130	TPT 12131
Input	Rated input Voltage (Vac)	400	400	400	400	400
	Rated input Current (Aac)	59	75	95	116	145
	Rated frequency (Hz)	50/60Hz	50/60Hz	50/60Hz	50/60Hz	50/60Hz
Output	Rated output Voltage (Vac)	400	400	400	400	400
	Rated output Current (Aac)	57	72	92	115	144
	Rated output Power (kVA)	40	50	63	80	100
	No load voltage (Vac)	410	409	409	403	403
	Voltage regulation	2,73%	2,30%	1,70%	1,50%	1,35%
	No Load Current Max.(A)	0,83	1,00	1,25	1,20	1,2
	Fe Losses (W)	231	279	350	411	451
	Cu losses (W)	1068	1140	1138	1168	1288
	Efficiency	96,70%	97,20%	97,70%	98,00%	98,30%
	Temperature rise 100% load Max(°C)	89	90	86	85	85
	Short circuit current (kA)	1,54	2,16	3,2	4,2	4,7
	Short circuit voltage in %	2,19%	1,98%	1,70%	1,60%	1,80%
	Inrush current peak (A)	456	560	727	840	900
Inrush current rms (A)	343	426	556	645	685	
Assembly	Primary Terminals	2,5-50mm2	2,5-50mm2	2,5-50mm2	16-95mm2	16-95mm2
	Secondary Terminals	2,5-50mm2	2,5-50mm2	2,5-50mm2	16-95mm2	16-95mm2
	Terminals bolt size	HEX 5	HEX 5	HEX 5	HEX 6	HEX 6
Measures and weights	A (mm)	600	600	600	600	600
	B (mm)	540	540	540	540	540
	C (mm)	500	500	500	500	500
	D (mm)	100	120	150	180	200
	E (mm)	185	205	235	265	285
	F (mm)	235	255	285	315	335
	G (mm)	280	300	330	360	380
	H (mm)	300	300	300	300	300
	I (mm)	500	500	500	500	500
	J (mm)	600	600	600	600	600
	K (mm)	22X16	22X16	22X16	22X16	22X16
Weight (kg)	200	240	300	360	430	



General		
Approvals	UL materials	
According to	IEC	61558-2-4
Temperature	Ambient temperature max.(°C)	40
	Temp. class	155/F
Safety and protection	Protection index	IP 00
	Safety class	I
Vector	Standard	Dyn11

### Dimension drawing



### Vector diagram

